

MATERIAL: SEE B/M  
 DRAWN: FWK CHECKED:  
 SCALE: NONE DATE: 01/20/11



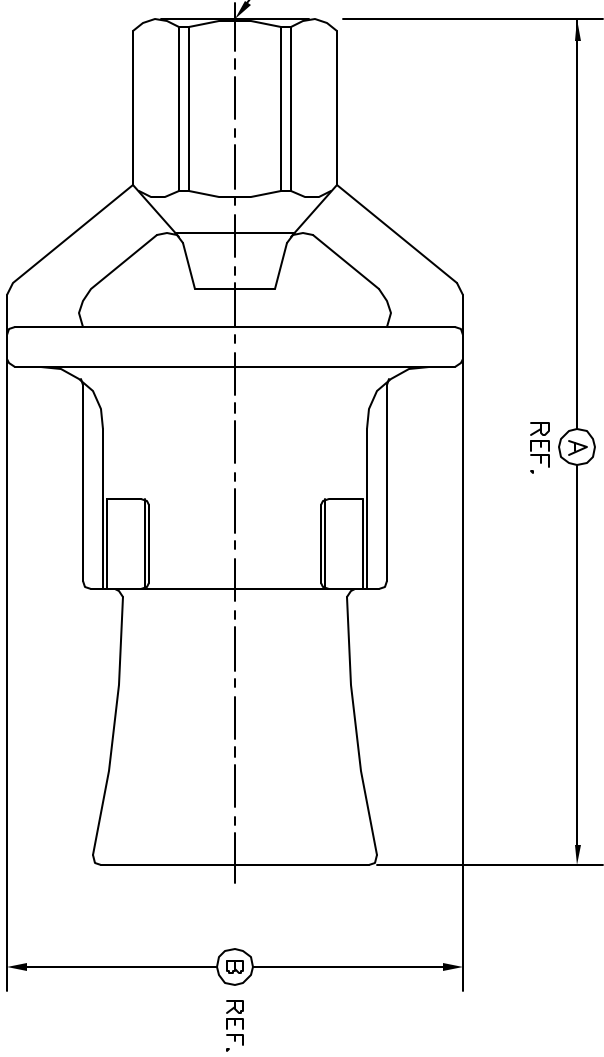
TLA, BODY  
 STANDARD NPT CONNECTION

Section: E400  
 Bulletin: E400.03  
 Date: 01/20/11  
 Supersedes: NEW

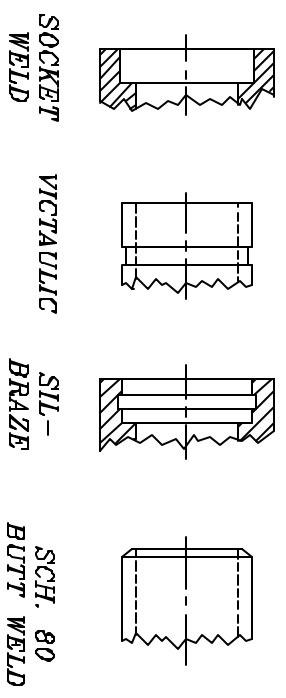
FILE NO.: E400-03.DWG

THIS DRAWING AND ALL INFORMATION ON IT IS THE PROPERTY OF JACOBRY-TARBOX, DIVISION OF THE CLARK-RELLIANCE CORPORATION. IT IS CONFIDENTIAL AND IS GIVEN TO YOU FOR A LIMITED PURPOSE AND MUST BE RETURNED UPON REQUEST. NEITHER THIS DRAWING NOR ANY PART OF IT NOR ANY INFORMATION CONTAINED HEREIN IS TO BE COPIED, EXHIBITED OR FURNISHED TO OTHERS NOR MAY PHOTOGRAPHS BE TAKEN OF ANY ARTICLE FABRICATED OR ASSEMBLED FROM THIS DRAWING WITHOUT CONSENT OF THE CLARK-RELLIANCE CORPORATION.

STANDARD NPT CONNECTION DEFINED BY UNIT SIZE (SEE TABLE)



NOTES:  
 1. OPTIONAL CONNECTIONS AVAILABLE:



OPTIONAL CONNECTIONS MAY CHANGE "A" DIMENSION. CONSULT FACTORY FOR DETAILS FOR FLANGED OPTIONS, SEE E400.04 & E400.05

2. 3/8" UNITS AVAILABLE IN 316LSS ONLY
3. OPTIONAL MATERIALS OF CONSTRUCTION AVAILABLE FOR ALL OTHER SIZES
4. FOR LARGER SIZES, CONSULT FACTORY

SIZE	NPT	PART No.	MATERIAL	A	B
3/8"	MALE	TB-3922-T11	316 SS	4.35	2.47
		TB-3923-A27	CARBON STEEL	7.30	3.67
3/4"	MALE	TB-3923-T11	316 SS	7.30	3.67
		TB-3924-A27FNPT	CARBON STEEL	10.94	5.54
1-1/2"	FEMALE	TB-3924-T11FNPT	316 SS	10.94	5.54
		TB-3925-A27FNPT	CARBON STEEL	14.56	7.68
2"	FEMALE	TB-3925-T11FNPT	316 SS	14.56	7.68
		TB-3926-A27FNPT	CARBON STEEL	22.06	11.73
3"	FEMALE	TB-3926-T11FNPT	316 SS	22.06	11.73