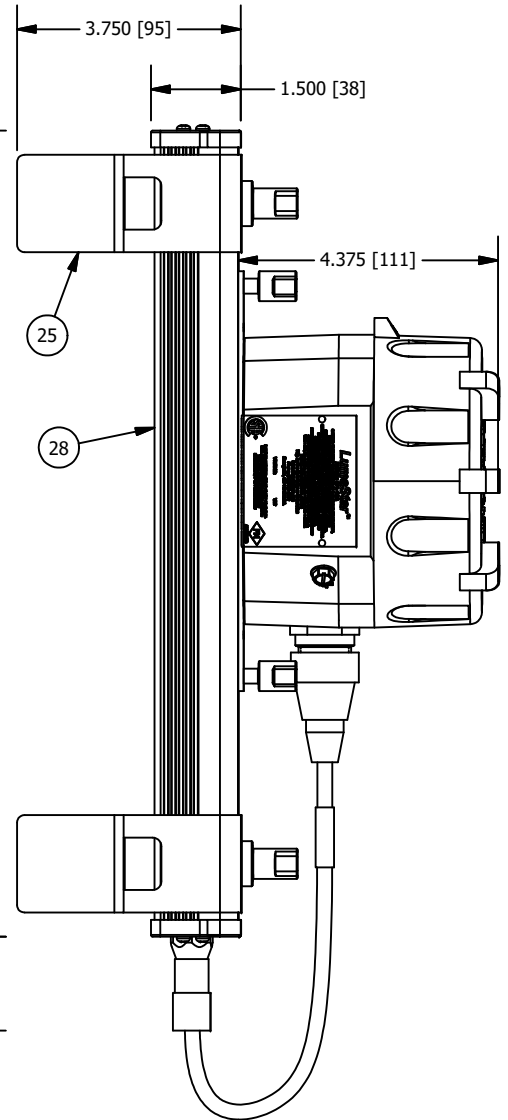
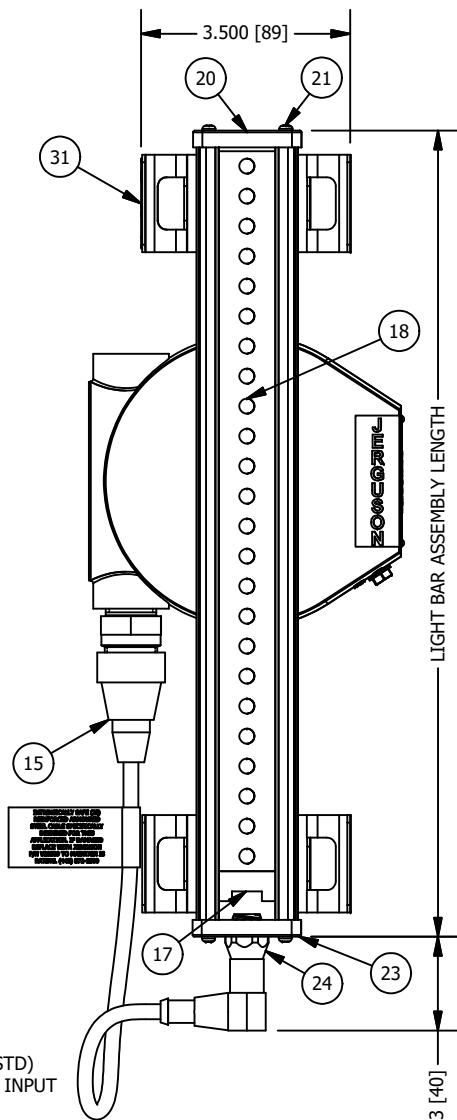
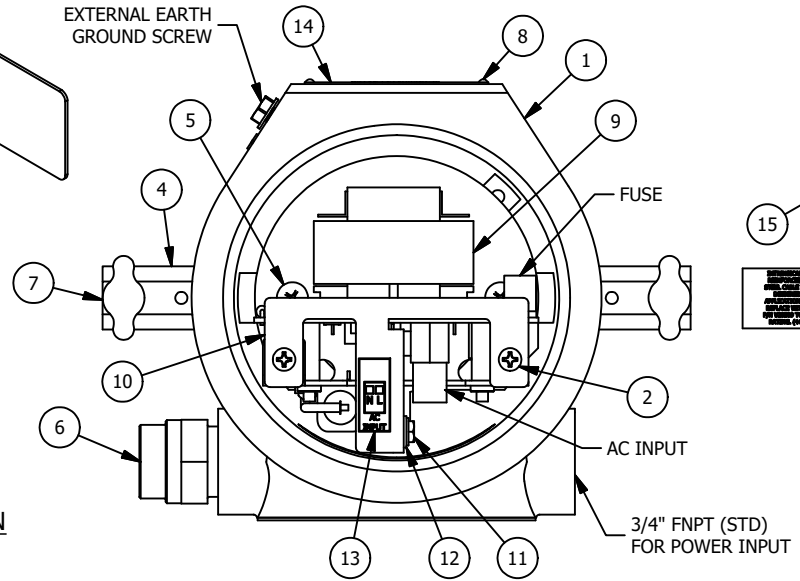


SECTION VIEW OF LIGHT STRIP MOUNTED TO TRANSPARENT GAGE. (POWER SUPPLY NOT SHOWN)



| BILL OF MATERIAL |                         |           |                 |               |           |
|------------------|-------------------------|-----------|-----------------|---------------|-----------|
| NO.              | NAME OF PART            | QTY.      | MATERIAL        | PART NO.      | REMARKS   |
| 1                | ENCLOSURE               | 1         | ALUMINUM        | V20815 E6     |           |
|                  | ENCLOSURE               | 1         | 316SS           | V22514 TE     |           |
| 2                | SCREW, PHMS, 6-32 X 3/8 | 2         | 18-8SS          | X173335       |           |
| 3                | SCREW, MACHINE          | 2         | 18-8SS          | X173062       | NOT SHOWN |
| 4                | T-RAIL                  | 1         | ALUMINUM        | V20778 E6 ANN |           |
| 5                | SCREW, MACHINE          | 2         | STAINLESS STEEL | X172633       |           |
| 6                | RECEPTICAL              | 1         | -               | V20603        |           |
| 7                | THUMB SCREW, .625" LONG | 2         | ALUMINUM        | V20764 E6 ANN |           |
| 8                | SCREW, DRIVE            | 2         | 18-8SS          | P1654 P       |           |
| 9                | POWER SUPPLY, 115V *    | 1         | -               | S25115 115    |           |
|                  | POWER SUPPLY, 230V *    | -         | -               | S25115 230    |           |
| 10               | BRACKET, DIVIDER        | 1         | ALUMINUM        | V22719        |           |
| 11               | SCREW, GROUND, 6-32     | 1         | STEEL           | X173344       |           |
| 12               | WASHER, FLAT            | 1         | 303SS           | X174110       |           |
| 13               | LABEL, INPUT, AC        | 1         | POLYESTER       | V22712        |           |
| 14               | LABEL, POWER SUPPLY     | 1         | ALUMINUM        | V20484 E      |           |
| 15               | CORD, 18" LONG STANDARD | 1         | -               | V20509        |           |
| 16               | LABEL, IS POWER CORD    | 1         | -               | V20655        |           |
| 17               | CIRCUIT BOARD END       | 1         | -               | S23174 END    |           |
| 18               | BOARD, LIGHT            | PER ORDER | -               | S23174 12     | SHOWN     |
|                  | BOARD, LIGHT            | PER ORDER | -               | S23174 10     |           |
|                  | BOARD, LIGHT            | PER ORDER | -               | S23174 8      |           |
|                  | BOARD, LIGHT            | PER ORDER | -               | S23174 6      |           |
|                  | BOARD, LIGHT            | PER ORDER | -               | S23174 4      |           |
| 19               | GASKET, TOP             | 1         | SILICONE        | V20470        | NOT SHOWN |
| 20               | END CAP, TOP            | 1         | 304SS           | V20472 R      |           |
| 21               | SCREW, TORX             | 8         | STAINLESS STEEL | X172716       |           |
| 22               | GASKET, BOTTOM          | 1         | SILICONE        | V20471        | NOT SHOWN |
| 23               | END CAP, BOTTOM         | 1         | 304SS           | V20473 R      |           |
| 24               | CONNECTOR, FEMALE       | 1         | -               | V20605        |           |
| 25               | BRACKET, UNIVERSAL      | 2         | 316/316LSS      | V21423        |           |
| 26               | BOLT, UNIVERSAL BRACKET | 2         | STAINLESS STEEL | V21424 T      |           |
| 27               | NUT, THUMB              | 2         | 316/316LSS      | V20997 T      |           |
| 28               | EXTRUSION               | PER ORDER | ALUMINUM        | V20466 E7 ANN |           |
| 29               | GLASS, INDICATOR        | PER ORDER | GLASS           | V18973        |           |
| 30               | GASKET, GLASS           | PER ORDER | SILICONE        | V20556        |           |
| 31               | TAG, EPL-100            | 1         | 316SS           | V20487 E      |           |

MODEL NUMBER DESIGNATION

EPL-100-#-#-#-#-#

LUMASTAR MODEL EPL-100  
115 OR 230 VAC, 50/60 Hz  
NEMA 4, 4x

GAGE WINDOW SIZE  
SERIES 20 (1 THRU 9)  
SERIES 300L (11,12,13,15,18,20)

PREWIRED TERMINAL CONNECTIONS  
1 = US/CAN, 115 VAC, 50/60 Hz  
2 = US/CAN, 230 VAC, 50/60 Hz  
3 = ATEX/IECEX, 115 VAC, 50/60 Hz  
4 = ATEX/IECEX, 230 VAC, 50/60 Hz  
24 VDC OPTION AVAILABLE

NUMBER OF GAGE SECTIONS  
(1,2,3,4,5)  
SEE LIGHT BAR ASSEMBLY LENGTH TABLE AT RIGHT FOR AVAILABLE UNITS

DAISY CHAINED/REMOTE  
BLANK = STANDARD  
D = DAISY CHAIN

-FOR MULTIPLE SINGLE SECTIONS WITH ARMORED CABLE, CONSULT FACTORY FOR MAXIMUM LENGTHS AND NUMBER OF SECTIONS

R = REMOTE MOUNT POWER SUPPLY  
-STANDARD FOR SINGLE SECTION SIZE 7 OR SMALLER

MOUNTING BRACKETS  
1 = UNIVERSAL MOUNTING BRACKET FOR COVER PLATES UP TO 3-1/2" IN WIDTH. USED FOR ALL JERGUSON SERIES 20/30/32/L10/300L/5/12/18 AND COMPETITIVE L/M/H SERIES GAGES  
4 = SERIES 20/32 CS COVERS w/ NON-FROST EXT.  
5 = SERIES 20/32 SS COVERS w/ NON-FROST EXT.  
6 = JERGUSON 900# BOILER GAGE  
7 = RELIANCE FG450/900 GAGE  
8 = RELIANCE FG1500 GAGE  
9 = SERIES 40/1100#-1600# BOILER GAGES  
11 = JOGLER GAGE  
12 = REFLEX GAGE

SPECIFICATIONS

POWER SUPPLY (Um): 115 OR 230 VAC @ 50-60 Hz ± 10%

HAZARDOUS LOCATION APPROVALS: cETLus: CLASS I, DIV 1, GROUPS B,C,D,T4 IP66/TYPE 4X  
ETLus: CLASS I, ZONE 1, AEx db [ib] IIB+H2 T4 Gb IP66/TYPE 4X  
cETL: Ex db [ib] IIB+H2 T4 Gb IP66/TYPE 4X  
INTERTEK 5014669

ATEX: II 2 G Ex db [ib] IIB+H2 T4 Gb IP66/TYPE 4X  
ITS20ATEX25919X  
IECEX: Ex db [ib] IIB+H2 Gb IP66/TYPE 4X  
IECEX ETL 20.0063X

ORDINARY LOCATION APPROVALS: 2575

CONFORMS TO UL STDS 913, 1203, 60079-0, 60079-11, & 60079-1  
CERTIFIED TO CSA STDS C22.2 60079-0, 60079-11, 60079-1, & 30

AMBIENT TEMPERATURE: -40°C/-40°F ≤ Ta ≤ 60°C/140°F

WIRE SIZE: MIN 0.8mm²/ MAX 3.5mm² (MIN 18 AWG/ MAX 12 AWG)

MAX DIST. POWER SUPPLY TO LIGHT: 22M (72 FEET) VIA CLARK RELIANCE CORDS V20509/V20601-XX ONLY.

ELECTRICAL CONN.: 3/4 FNPT

ELECTRICAL OUTPUT: 21.42Vdc, 0.148A, 1.18W

MAXIMUM ESTIMATED LIFE: 100,000 HOURS (CONTINUOUS)

| GLASS SIZE        | LIGHT BAR ASSEMBLY LENGTH |       |       |       |       |
|-------------------|---------------------------|-------|-------|-------|-------|
|                   | NUMBER OF SECTIONS        |       |       |       |       |
|                   | 1                         | 2     | 3     | 4     | 5     |
| SERIES 20/32/300L |                           |       |       |       |       |
| 1                 | 5.41                      |       |       |       |       |
| 2                 | 5.41                      |       |       |       |       |
| 3                 | 7.41                      | 15.41 |       |       |       |
| 4                 | 7.41                      | 17.41 |       |       |       |
| 5                 | 9.41                      | 19.41 |       |       |       |
| 6                 | 11.41                     | 21.41 | 31.41 |       |       |
| 7                 | 11.41                     | 23.41 | 35.41 | 47.41 | 59.41 |
| 8                 | 13.41                     | 27.41 | 39.41 | 53.41 |       |
| 9                 | 13.41                     | 29.41 | 41.41 | 57.41 |       |
| SERIES 300L       |                           |       |       |       |       |
| 11                | 11.41                     | 23.41 | 35.41 | 47.41 |       |
| 12                | 13.41                     | 25.41 | 39.41 | 51.41 |       |
| 13                | 13.41                     | 27.41 | 41.41 | 55.41 |       |
| 15                | 15.41                     | 31.41 | 47.41 |       |       |
| 18                | 19.41                     | 37.41 | 57.41 |       |       |
| 20                | 21.41                     | 41.41 |       |       |       |

\* OPTIONAL POWER SUPPLIES AVAILABLE WITH ATEX/IECEX APPROVAL

| SPARE PARTS     |                                                                   |
|-----------------|-------------------------------------------------------------------|
| PART NUMBER     | DESCRIPTION                                                       |
| S24245          | BRACKET, UNIVERSAL                                                |
| A25115 115      | 115 VAC POWER SUPPLY/BRACKET SUB-ASSEMBLY                         |
| A25115 230      | 230 VAC POWER SUPPLY/BRACKET SUB-ASSEMBLY                         |
| A25119 115 E6 L | 115 VAC US/CAN POWER SUPPLY w/ EXPLOSION-PROOF ENCLOSURE          |
| A25119 230 E6 L | 230 VAC US/CAN POWER SUPPLY w/ EXPLOSION-PROOF ENCLOSURE          |
| A25481 115 E6 L | 115 VAC ATEX/IECEX POWER SUPPLY w/ EXPLOSION-PROOF ENCLOSURE      |
| A25481 230 E6 L | 230 VAC ATEX/IECEX POWER SUPPLY w/ EXPLOSION-PROOF ENCLOSURE      |
| V20509          | 18" CABLE w/ 90 DEGREE CONNECTOR                                  |
| E F DIN 0250 T  | FUSE, 250 mA, 115 VAC                                             |
| E F DIN 0125 T  | FUSE, 125 mA, 230 VAC                                             |
| S23174 4        | LED ARRAY CIRCUIT BOARD (4 INCH)                                  |
| S23174 6        | LED ARRAY CIRCUIT BOARD (6 INCH)                                  |
| S23174 8        | LED ARRAY CIRCUIT BOARD (8 INCH)                                  |
| S23174 10       | LED ARRAY CIRCUIT BOARD (10 INCH)                                 |
| S23174 12       | LED ARRAY CIRCUIT BOARD (12 INCH)                                 |
| V20601 6.5      | 6-1/2 FOOT (2.5 METER) EXTENSION POWER CORD (FOR REMOTE MOUNTING) |
| V19705 F        | M20 METRIC ADAPTOR (3/4"MNPT x M20 FEMALE)                        |

| REV | DATE       | REVISION                                                | BY  |
|-----|------------|---------------------------------------------------------|-----|
| 6   | 05/27/2021 | UPDATED POWER SUPPLY, UPDATED BOM, UPDATED MODEL NUMBER | SH  |
| 5   | 11/18/2019 | UPDATED NOTES                                           | JJK |
| 4   | 1/28/2019  | UPDATED DIMENSION FROM 1.313 TO 1.563                   | JJK |
| 3   | 7/12/2013  | REDRAWN IN INVENTOR                                     | SH  |
| 2   | 3/18/2008  | UPDATED CORD LENGTH                                     | SH  |

REFER TO THE FOLLOWING (FOR):  
- CATALOG BULLETIN J100.32 (ADDITIONAL INFORMATION)  
- IOM BULLETIN J500.32 (INSTRUCTIONS - INCLUDING WIRING)  
- IOM BULLETIN J500.33 (ATEX INSTRUCTIONS - INCLUDING WIRING)  
- PRICE SHEET BULLETIN J800.18  
- CI-26677 (INSTALLATION AND HAZARDOUS LOCATION INFORMATION)

\*DIMENSIONS IN INCHES w/ mm EQUIVALENT IN BRACKETS\*

MANUFACTURED BY  
**Clark-Reliance**  
16633 FOLTZ PARKWAY  
STRONGSVILLE, OH 44149 USA  
(440) 572-1500 | www.clarkreliance.com  
© Clark-Reliance® Corporation. All Rights Reserved.

**JERGUSON**  
EPL-100 LUMASTAR

DRAWN: SH  
CHECKED: MK  
DATE: 07/12/2013  
REVISION: 6  
DRAWING NO.: **EPL-100**  
REV.: **6**