

CLEANABILITY MATTERS

Uni-San® Hygienic Sight Windows

UniGlas® and Uni-San® Windows – More than 35 Years of unparalleled success in the toughest, most challenging services

SEE YOUR PROCESSES WITH REASSURANCE OF...

- One-piece design
- Crevice free transition
- Proven, traceable materials

SEE PROCESS ANYWHERE

- Clamp to any Hygienic clamp connection
- Turn any ferrule (on a tank, or in a line) into a viewing window or light port

MAXIMIZE PRODUCTION

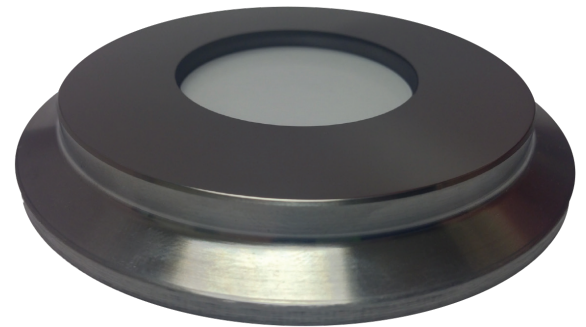
- Shorten cleaning cycles and prevent product loss
- Surpass your CIP & SIP requirements
- If required, may be mechanically cleaned and placed back in service
- Validate system performance

HIGHEST RATINGS

- Highest safety factor versus system design pressure
- Pressure Ratings up to 360 psig (25 Bar)
- Temperature ratings up to 536 F (280 C) and down to -22 F (-30 C) Duplex and -76 F (-60 C) Hastelloy®



UNI-SAN®
with LED Illuminator



JACOBY-TARBOX®
UNI-SAN®

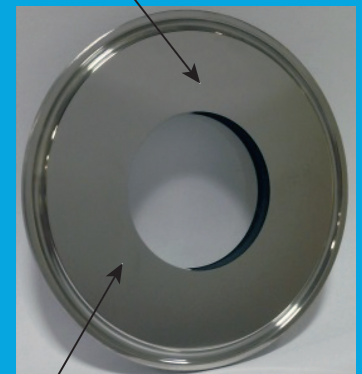
Hygienic Clamp Connections
According to ASME-BPE



FRONT (Atmosphere)

Type 1
Borosilicate Glass

10Ra µin (.25Ra µm) Mechanical
wetted surface finish
Note: Electropolish available



BACK (Process)

Duplex SS (Standard)
Note: Other materials available

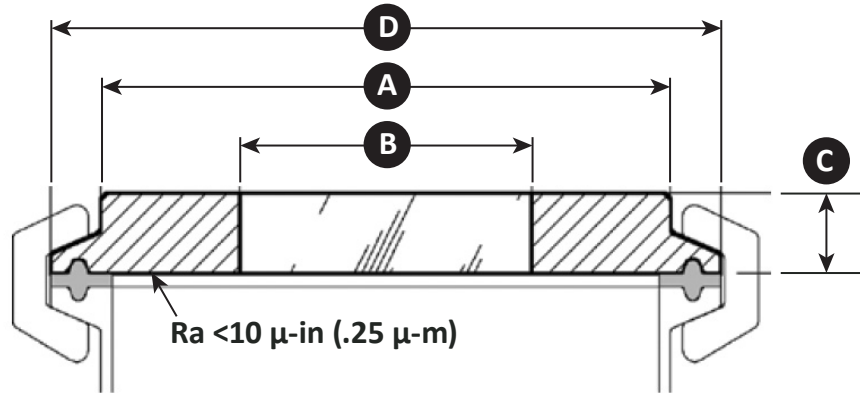
Specify Your Uni-San® Hygienic Sight Windows

Model	Size	Wetted Metal	Surface Finish
UNISAN			

SIZE	CODE	SIZE	CODE
1/2" & 3/4"	34	4"	4
1" & 1-1/2"	15	6"	6
2"	2	8"	8
2-1/2"	25	10"	10
3"	3	12"	12

HEAD MATERIAL	CODE
Duplex SS (2205)	SS
Hastelloy® C22	HC

HEAD SURFACE FINISH	CODE
10 Ra (Mechanical)	[]
Electropolished	EP



Size* Tube OD	A		B (VIEW)		C (THICK)		D (OD)		WEIGHT		MAX PRESSURE	
	IN	mm	IN	mm	IN	mm	IN	mm	Lb	Kg	psi	Bar
1/2" & 3/4"	0.7	18	0.4	10	0.4	10	0.984	25.00	0.33	0.15	360	25
1" & 1-1/2"	1.6	41	1.0	25	0.4	10	1.984	50.39	0.40	0.18	230	16
2"	2.0	52	1.2	30	0.4	10	2.516	63.91	0.47	0.21	230	16
2-1/2"	2.5	63.5	1.4	35	0.4	10	3.047	77.39	0.58	0.26	230	16
3"	3.0	76	1.6	40	0.4	10	3.579	90.91	0.82	0.37	145	10
4"	4.0	101	2.2	55	0.5	12	4.682	118.92	1.09	0.49	145	10
6"	6.0	152	3.0	75	0.6	16	6.570	166.88	1.19	0.54	85	6
8"	7.8	198	3.9	100	0.7	18	8.563	217.50	1.62	0.74	85	6
10"	9.6	245	5.1	130	0.8	20	10.551	268.00	2.52	1.14	85	6
12"	11.8	300	5.9	150	0.9	22	12.571	319.30	1.44	3.18	85	6

*Hygienic clamp dimensions are in accordance with ASME-BPE, shown in inches

CLA000 Bulletin: T100.65 (02/20)